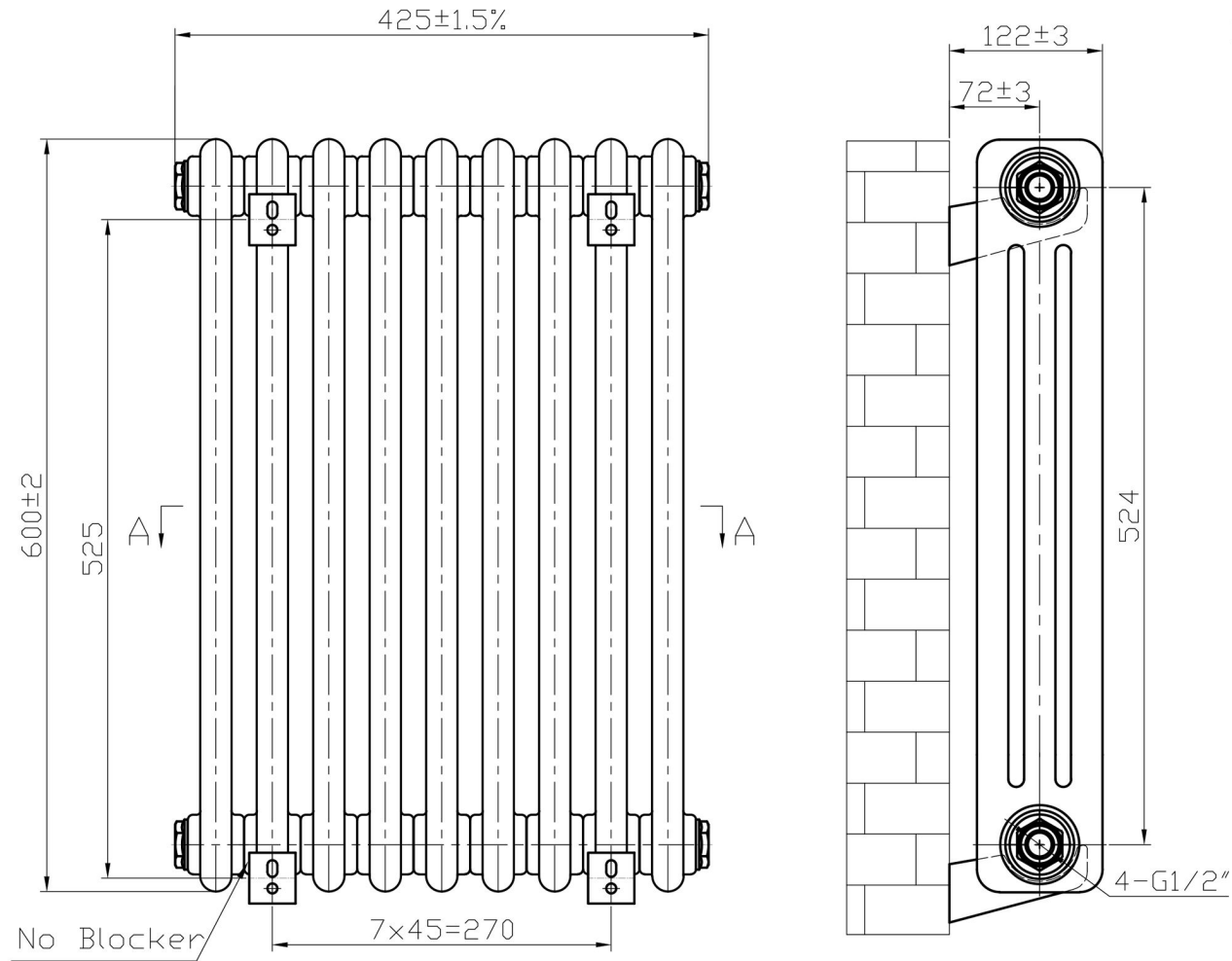


Imperia 3 Column Horizontal 600 x 425mm.

Technical Drawing



Unit: mm

