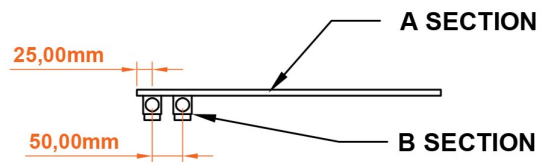
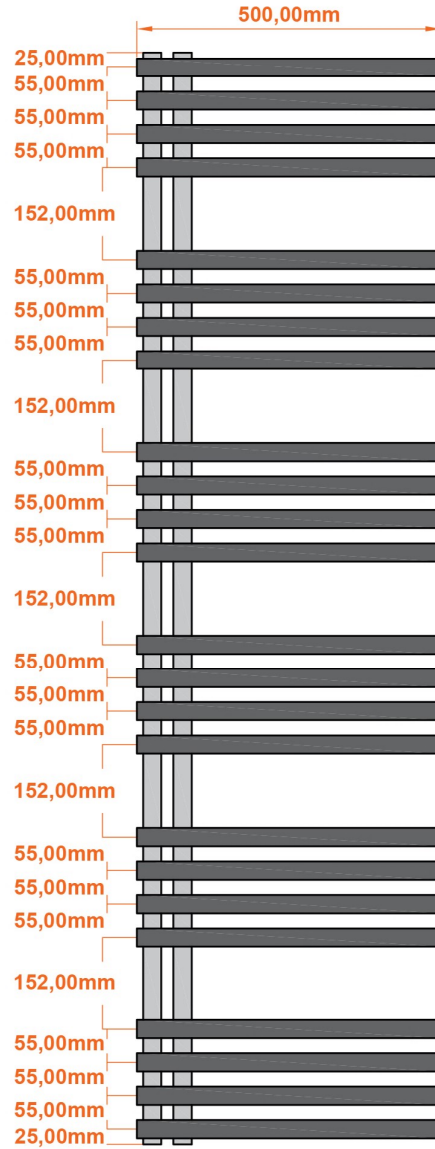
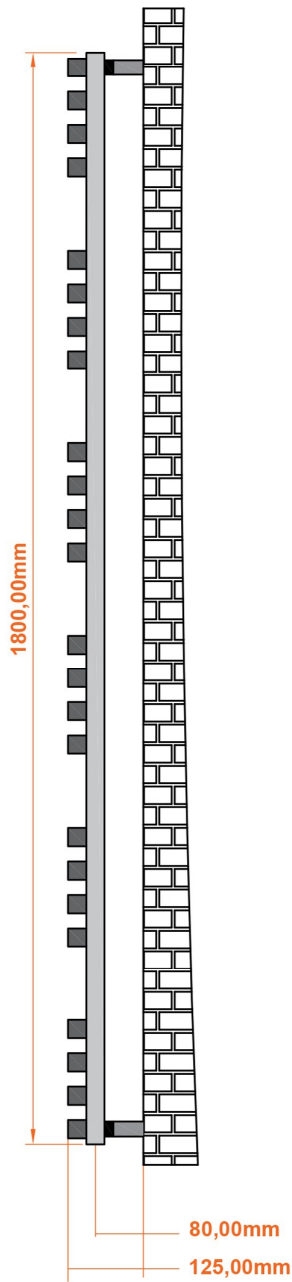
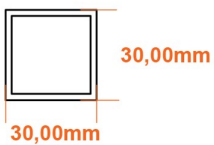


Reinbach 1800 x 500mm.

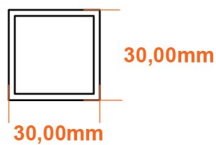
Technical Drawing



A SECTION



B SECTION



scale: 1/2

Eastbrook 

Eastbrook Road, Gloucester GL4 3DB

Technical Helpline : 01452 317890

Mon - Fri / 8am - 5pm

Email : technical@eastbrookco.com