

GLOSS WHITE



TYPE 21 COMPACT PANEL RADIATOR DATA SHEET

MATT ANTHRACITE & MATT BLACK



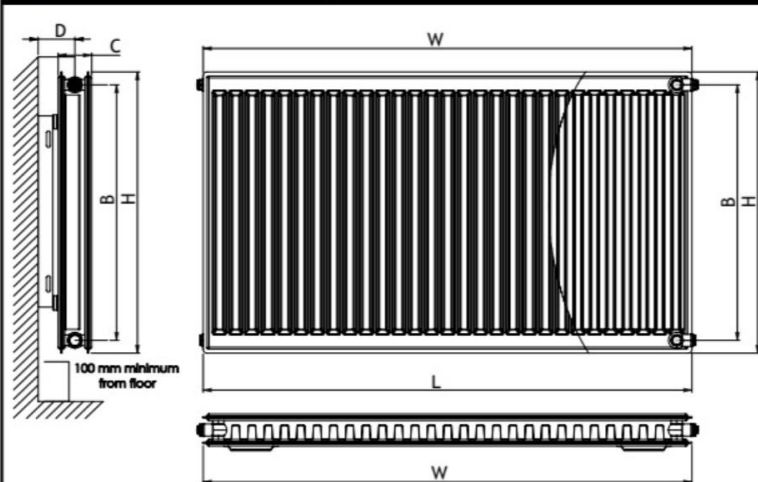
Height H		Width W		Colour	Code	Heat Output $\Delta T50^{\circ}C$		Heat Output $\Delta T60^{\circ}C$		Water Content / Litres	Weight / Kg	For full pallet quantities
mm.	mm.	Watts	BTU			Watts	BTU	Pcs per Pallet				
400	400	RAL9016 Gloss White	25.0078	381	1300	482	1643	1.68	7.84	40		
	500	RAL9016 Gloss White	25.0079	476	1625	602	2054	2.10	9.51	40		
	600	RAL9016 Gloss White	25.0080	571	1950	722	2465	2.52	11.19	40		
	700	RAL9016 Gloss White	25.0081	667	2275	843	2876	2.90	12.86	40		
	800	RAL9016 Gloss White	25.0082	762	2600	963	3286	3.36	14.61	40		
	900	RAL9016 Gloss White	25.0083	857	2925	1083	3697	3.80	16.28	40		
	1000	RAL9016 Gloss White	25.0084	952	3250	1203	4108	4.20	17.95	40		
	1100	RAL9016 Gloss White	25.0085	1048	3575	1325	4519	4.60	19.61	40		
	1200	RAL9016 Gloss White	25.0086	1143	3899	1445	4928	5.04	21.27	40		
	1400	RAL9016 Gloss White	25.0087	1333	4549	1685	5750	5.88	24.72	38		
	1600	RAL9016 Gloss White	25.0088	1524	5199	1926	6572	6.72	28.07	24		
	1800	RAL9016 Gloss White	25.0089	1714	5849	2166	7393	7.60	30.19	24		
2000	RAL9016 Gloss White	25.0090	1905	6499	2408	8215	8.40	34.99	24			
500	400	RAL9016 Gloss White	25.0091	459	1566	580	1979	2.08	9.68	40		
	500	RAL9016 Gloss White	25.0092	574	1958	726	2475	2.60	11.79	40		
	600	RAL9016 Gloss White	25.0093	689	2350	871	2970	3.12	13.89	40		
	700	RAL9016 Gloss White	25.0094	803	2741	1015	3465	3.60	15.99	40		
	800	RAL9016 Gloss White	25.0095	918	3133	1160	3960	4.16	18.16	40		
	900	RAL9016 Gloss White	25.0096	1033	3524	1306	4454	4.70	20.27	40		
	1000	RAL9016 Gloss White	25.0097	1148	3916	1451	4950	5.20	22.37	40		
	1100	RAL9016 Gloss White	25.0098	1262	4308	1595	5445	5.70	24.47	38		
	1200	RAL9016 Gloss White	25.0099	1377	4699	1741	5940	6.24	26.58	20		
	1400	RAL9016 Gloss White	25.0100	1607	5482	2031	6929	7.28	30.85	20		
	1600	RAL9016 Gloss White	25.0101	1836	6266	2321	7920	8.32	35.06	20		
	1800	RAL9016 Gloss White	25.0102	2066	7049	2611	8910	9.40	39.53	20		
2000	RAL9016 Gloss White	25.0103	2295	7832	2901	9900	10.40	43.74	20			
600	400	RAL9016 Gloss White	25.0104	533	1820	674	2300	2.48	11.55	20		
	500	RAL9016 Gloss White	25.0105	667	2275	843	2876	3.10	14.08	20		
	600	RAL9016 Gloss White	25.0106	800	2730	1011	3451	3.72	16.61	20		
	700	RAL9016 Gloss White	25.0107	933	3185	1179	4026	4.30	19.14	20		
	800	RAL9016 Gloss White	25.0108	1067	3640	1349	4601	4.96	21.75	20		
	900	RAL9016 Gloss White	25.0109	1200	4095	1517	5176	5.60	24.28	20		
	1000	RAL9016 Gloss White	25.0110	1334	4550	1686	5751	6.20	26.81	20		
	1100	RAL9016 Gloss White	25.0111	1467	5005	1854	6326	6.80	29.34	20		
	1200	RAL9016 Gloss White	25.0112	1600	5460	2022	6901	7.44	31.87	20		
	1300	RAL9016 Gloss White	25.0113	1731	5906	2188	7465	8.10	34.48	20		
	1400	RAL9016 Gloss White	25.0114	1867	6370	2360	8052	8.68	37.01	20		
	1500	RAL9016 Gloss White	25.0115	2000	6824	2528	8626	9.30	39.54	20		
	1600	RAL9016 Gloss White	25.0116	2134	7280	2697	9202	9.92	42.07	12		
	1800	RAL9016 Gloss White	25.0117	2400	8190	3034	10352	11.20	47.45	12		
	2000	RAL9016 Gloss White	25.0118	2667	9100	3371	11502	12.40	52.52	12		

Height H mm.	Width W mm.	Colour	Code	Heat Output $\Delta T50^{\circ}\text{C}$		Heat Output $\Delta T60^{\circ}\text{C}$		Water Content / Litres	Weight / Kg	For full pallet quantities
				Watts	BTU	Watts	BTU			Pcs per Pallet
600	400	Matt Anthracite	25.0119	533	1820	674	2300	2.48	11.55	20
	600	Matt Anthracite	25.0120	800	2730	1011	3451	3.72	16.61	20
	800	Matt Anthracite	25.0121	1067	3640	1349	4601	4.96	21.75	20
	1000	Matt Anthracite	25.0122	1334	4550	1686	5751	6.20	26.81	20
	1200	Matt Anthracite	25.0123	1600	5460	2022	6901	7.44	31.87	20
	1400	Matt Anthracite	25.0124	1867	6370	2360	8052	8.68	37.01	20
	1600	Matt Anthracite	25.0125	2134	7280	2697	9202	9.92	42.07	12
	1800	Matt Anthracite	25.0126	2400	8190	3034	10352	11.20	47.45	12
600	400	Matt Black	25.0127	533	1820	674	2300	2.48	11.55	20
	600	Matt Black	25.0128	800	2730	1011	3451	3.72	16.61	20
	800	Matt Black	25.0129	1067	3640	1349	4601	4.96	21.75	20
	1000	Matt Black	25.0130	1334	4550	1686	5751	6.20	26.81	20
	1200	Matt Black	25.0131	1600	5460	2022	6901	7.44	31.87	20
	1400	Matt Black	25.0132	1867	6370	2360	8052	8.68	37.01	20
	1600	Matt Black	25.0133	2134	7280	2697	9202	9.92	42.07	12
	1800	Matt Black	25.0134	2400	8190	3034	10352	11.20	47.45	12

Heat Output $\Delta T50^{\circ}\text{C}$ means boiler flow temperature of 70°C and a room temperature of 20°C .

Heat Output $\Delta T60^{\circ}\text{C}$ means boiler flow temperature of 80°C and a room temperature of 20°C .

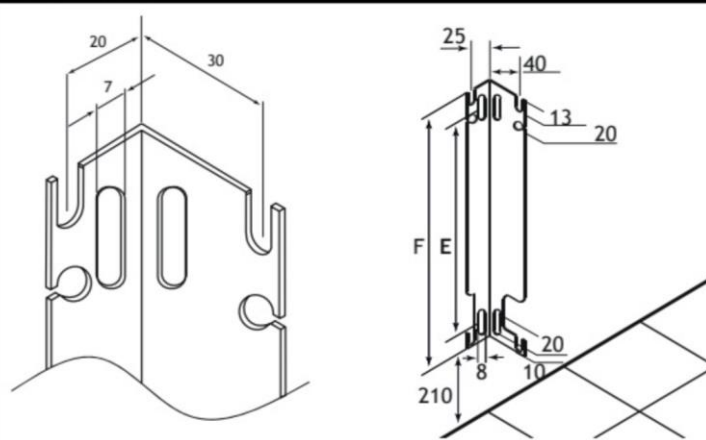
Type 21 - Technical Drawing



Height H (mm.)	Horizontal Tappings L (mm.)	Vertical Tappings B (mm.)	Radiator Depth C (mm.)	Tappings from Wall D (mm.)
400	W	345	70	56 / 68
500	W	445	70	56 / 68
600	W	545	70	56 / 68

*Radiators have 4 tappings in total.

Wall Brackets

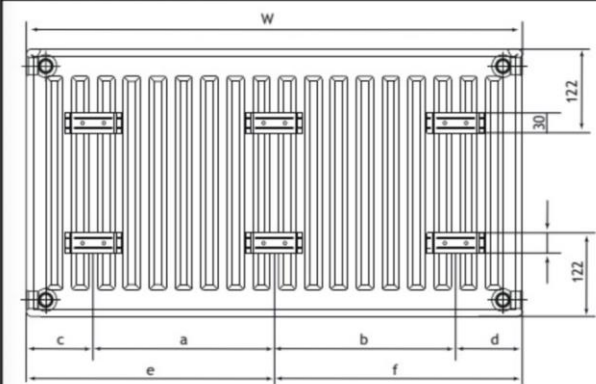


Radiator Height (mm.)	Bracket Length F (mm.)	Bracket Drilling Centre E (mm.)	Wall Bracket Code for 2 pcs	Wall Bracket Code for 3 pcs	Wall Bracket Quantity	
					2 pieces	3 pieces
300	108	-	25.9001	25.9005	Radiator Width 400 to 1600mm	Radiator Width 1800 to 2000mm
400	210	99	25.9002	25.9006		
500	309	198	25.9003	25.9007		
600	407	296	25.9004	25.9008		

*All wall brackets for all colour radiators come in galvanised colour (nickel).

All radiators come with wall fixings and wall brackets. Wall Bracket codes are stated above for spare part requests.

Bracket Positioning



Radiator Width W (mm.)	Type 11 / Type 21 / Type 22							
	a (mm.)	b (mm.)	c (mm.)		d (mm.)		e (mm.)	f (mm.)
			Type 11	Type 21 / 22	Type 11	Type 21 / 22		
400 - 1600	W - 266.6	-	117	133.3	117	133.3	-	-
1800 - 2000	(W / 2) - 133.3	(W / 2) - 133.3	133.3		133.3		W / 2	W / 2

Our compact panel radiators are packed in heavy duty, protective packaging. Side cartons, bubble wrap, plastic corner protection and shrink wrap will protect these radiators to their destination.

