

GLOSS WHITE



TYPE 22 COMPACT PANEL RADIATOR DATA SHEET

MATT ANTHRACITE & MATT BLACK



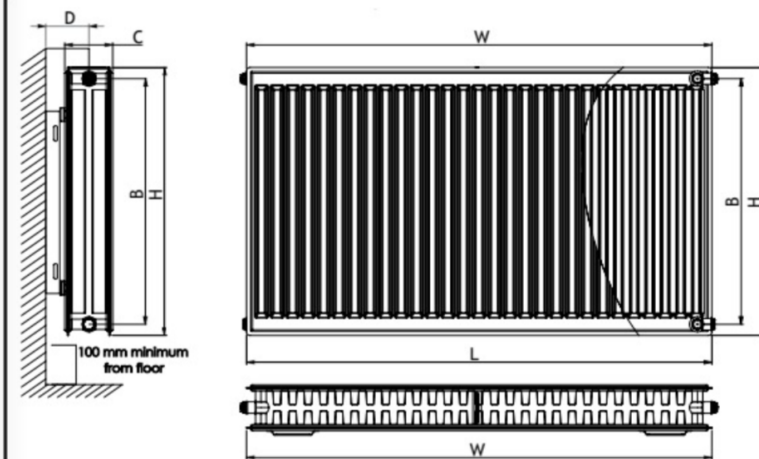
Height H		Width W		Colour	Code	Heat Output $\Delta T50^{\circ}\text{C}$		Heat Output $\Delta T60^{\circ}\text{C}$		Water Content / Litres	Weight / Kg	For full pallet quantities
mm.	mm.	Watts	BTU			Watts	BTU	Pcs per Pallet				
300	400	RAL9016 Gloss White	25.0135	368	1254	465	1585	1.36	6.68	30		
	600	RAL9016 Gloss White	25.0136	551	1881	696	2378	2.04	9.41	30		
	800	RAL9016 Gloss White	25.0137	735	2508	929	3170	2.72	12.21	30		
	1000	RAL9016 Gloss White	25.0138	919	3135	1162	3963	3.40	14.93	30		
	1200	RAL9016 Gloss White	25.0139	1103	3448	1394	4358	4.08	17.66	30		
	1400	RAL9016 Gloss White	25.0140	1286	4389	1626	5548	4.76	20.46	30		
	1600	RAL9016 Gloss White	25.0141	1470	5016	1858	6340	5.44	23.19	24		
	2000	RAL9016 Gloss White	25.0142	1838	6270	2323	7925	6.80	28.82	24		
400	400	RAL9016 Gloss White	25.0143	468	1596	592	2017	1.68	8.80	30		
	500	RAL9016 Gloss White	25.0144	585	1996	739	2523	2.10	10.65	30		
	600	RAL9016 Gloss White	25.0145	702	2395	887	3027	2.52	12.49	30		
	700	RAL9016 Gloss White	25.0146	819	2794	1035	3532	2.90	14.34	30		
	800	RAL9016 Gloss White	25.0147	936	3193	1183	4036	3.36	16.25	30		
	900	RAL9016 Gloss White	25.0148	1053	3592	1331	4540	3.80	18.10	30		
	1000	RAL9016 Gloss White	25.0149	1170	3991	1479	5045	4.20	19.94	30		
	1100	RAL9016 Gloss White	25.0150	1287	4390	1627	5549	4.60	21.76	30		
	1200	RAL9016 Gloss White	25.0151	1404	4789	1775	6053	5.04	23.60	30		
	1400	RAL9016 Gloss White	25.0152	1638	5888	2070	7442	5.88	27.39	30		
	1600	RAL9016 Gloss White	25.0153	1872	6386	2366	8072	6.72	31.08	24		
	1800	RAL9016 Gloss White	25.0154	2105	7184	2661	9081	7.60	33.53	24		
	2000	RAL9016 Gloss White	25.0155	2339	7982	2956	10089	8.40	38.67	24		
500	400	RAL9016 Gloss White	25.0156	564	1925	713	2433	2.08	10.93	30		
	500	RAL9016 Gloss White	25.0157	705	2406	891	3041	2.60	13.27	30		
	600	RAL9016 Gloss White	25.0158	846	2887	1069	3649	3.12	15.60	30		
	700	RAL9016 Gloss White	25.0159	987	3368	1248	4257	3.60	17.93	30		
	800	RAL9016 Gloss White	25.0160	1128	3849	1426	4865	4.16	20.34	30		
	900	RAL9016 Gloss White	25.0161	1269	4330	1604	5473	4.70	22.67	30		
	1000	RAL9016 Gloss White	25.0162	1410	4812	1782	6082	5.20	25.01	30		
	1100	RAL9016 Gloss White	25.0163	1551	5293	1960	6690	5.70	27.34	30		
	1200	RAL9016 Gloss White	25.0164	1692	5774	2139	7298	6.24	29.67	30		
	1300	RAL9016 Gloss White	25.0165	1833	6254	2317	7905	6.80	32.08	30		
	1400	RAL9016 Gloss White	25.0166	1974	6736	2495	8514	7.28	34.41	15		
	1500	RAL9016 Gloss White	25.0167	2112	7206	2670	9108	7.80	36.75	15		
	1600	RAL9016 Gloss White	25.0168	2256	7699	2852	9732	8.32	39.08	12		
1800	RAL9016 Gloss White	25.0169	2538	8661	3208	10948	9.40	44.02	12			
	2000	RAL9016 Gloss White	25.0170	2820	9623	3564	12163	10.40	48.69	12		

Height H mm.	Width W mm.	Colour	Code	Heat Output $\Delta T50^{\circ}\text{C}$		Heat Output $\Delta T60^{\circ}\text{C}$		Water Content / Litres	Weight / Kg	For full pallet quantities
				Watts	BTU	Watts	BTU			Pcs per Pallet
600	400	RAL9016 Gloss White	25.0171	656	2240	829	2831	2.48	13.05	15
	500	RAL9016 Gloss White	25.0172	821	2800	1038	3539	3.10	15.89	15
	600	RAL9016 Gloss White	25.0173	985	3360	1245	4247	3.72	18.72	15
	700	RAL9016 Gloss White	25.0174	1149	3920	1452	4955	4.30	21.55	15
	800	RAL9016 Gloss White	25.0175	1313	4480	1660	5663	4.96	24.45	15
	900	RAL9016 Gloss White	25.0176	1477	5040	1867	6371	5.60	27.28	15
	1000	RAL9016 Gloss White	25.0177	1641	5600	2074	7078	6.20	30.10	15
	1100	RAL9016 Gloss White	25.0178	1805	6150	2282	7774	6.80	32.93	15
	1200	RAL9016 Gloss White	25.0179	1969	6720	2489	8494	7.44	35.76	15
	1300	RAL9016 Gloss White	25.0180	2130	7268	2692	9187	8.10	38.66	15
	1400	RAL9016 Gloss White	25.0181	2298	7840	2905	9910	8.68	41.49	15
	1500	RAL9016 Gloss White	25.0182	2460	8394	3109	10610	9.30	44.31	15
	1600	RAL9016 Gloss White	25.0183	2626	8960	3319	11325	9.92	47.14	12
	1800	RAL9016 Gloss White	25.0184	2954	10080	3734	12741	11.20	53.12	12
2000	RAL9016 Gloss White	25.0185	3282	10200	4148	12893	12.40	58.77	12	
600	400	Matt Anthracite	25.0186	656	2240	829	2831	2.48	13.07	15
	600	Matt Anthracite	25.0187	985	3360	1245	4247	3.72	18.72	15
	800	Matt Anthracite	25.0188	1313	4480	1660	5663	4.96	24.45	15
	1000	Matt Anthracite	25.0189	1641	5600	2074	7078	6.20	30.10	15
	1200	Matt Anthracite	25.0190	1969	6720	2489	8494	7.44	35.76	15
	1400	Matt Anthracite	25.0191	2298	7840	2905	9910	8.68	41.49	15
	1600	Matt Anthracite	25.0192	2626	8960	3319	11325	9.92	47.14	12
	1800	Matt Anthracite	25.0193	2954	10080	3734	12741	11.20	53.12	12
600	400	Matt Black	25.0194	656	2240	829	2831	2.48	13.07	15
	600	Matt Black	25.0195	985	3360	1245	4247	3.72	18.72	15
	800	Matt Black	25.0196	1313	4480	1660	5663	4.96	24.45	15
	1000	Matt Black	25.0197	1641	5600	2074	7078	6.20	30.10	15
	1200	Matt Black	25.0198	1969	6720	2489	8494	7.44	35.76	15
	1400	Matt Black	25.0199	2298	7840	2905	9910	8.68	41.49	15
	1600	Matt Black	25.0200	2626	8960	3319	11325	9.92	47.14	12
	1800	Matt Black	25.0201	2954	10080	3734	12741	11.20	53.12	12

Heat Output $\Delta T50^{\circ}\text{C}$ means boiler flow temperature of 70°C and a room temperature of 20°C .

Heat Output $\Delta T60^{\circ}\text{C}$ means boiler flow temperature of 80°C and a room temperature of 20°C .

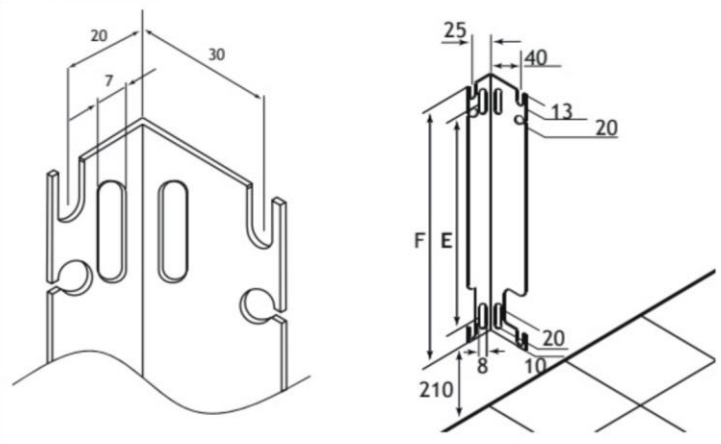
Type 22 - Technical Drawing



Height H (mm.)	Horizontal Tappings L (mm.)	Vertical Tappings B (mm.)	Radiator Depth C (mm.)	Tappings from Wall D (mm.)
300	W	245	102	72 / 84
400	W	345	102	72 / 84
500	W	445	102	72 / 84
600	W	545	102	72 / 84

* Radiators have 4 tappings in total.

Wall Brackets

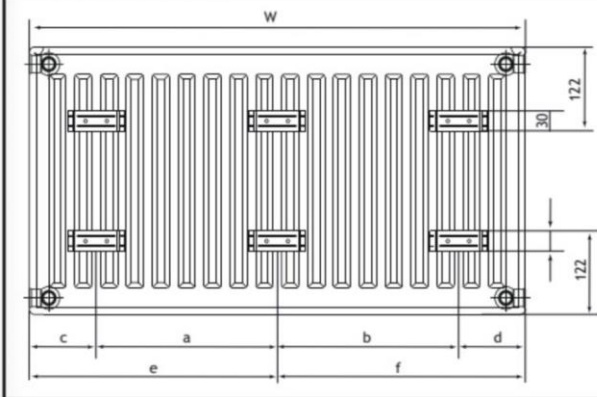


Radiator Height (mm.)	Bracket Length F (mm.)	Bracket Drilling Centre E (mm.)	Wall Bracket Code for 2 pcs	Wall Bracket Code for 3 pcs	Wall Bracket Quantity	
					2 pieces	3 pieces
300	108	-	25.9001	25.9005	Radiator Width 400 to 1600mm	Radiator Width 1800 to 2000mm
400	210	99	25.9002	25.9006		
500	309	198	25.9003	25.9007		
600	407	296	25.9004	25.9008		

*All wall brackets for all colour radiators come in galvanised colour (nickel).

All radiators come with wall fixings and wall brackets. Wall Bracket codes are stated above for spare part requests.

Bracket Positioning



Radiator Width W (mm.)	Type 11 / Type 21 / Type 22							
	a (mm.)	b (mm.)	c (mm.)		d (mm.)		e (mm.)	f (mm.)
			Type 11	Type 21 / 22	Type 11	Type 21 / 22		
400 - 1600	W - 266.6	-	117	133.3	117	133.3	-	-
1800 - 2000	(W / 2) - 133.3	(W / 2) - 133.3	133.3		133.3		W / 2	W / 2

Our compact panel radiators are packed in heavy duty, protective packaging. Side cartons, bubble wrap, plastic corner protection and shrink wrap will protect these radiators to their destination.