

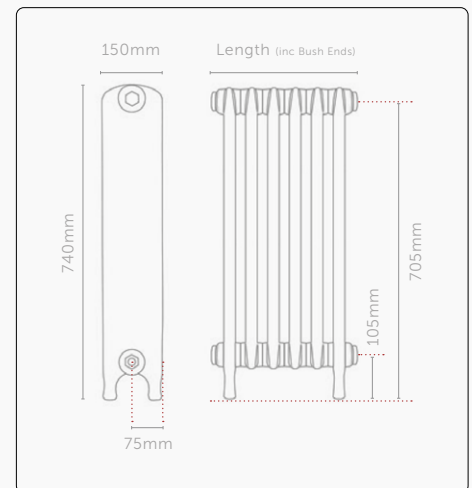
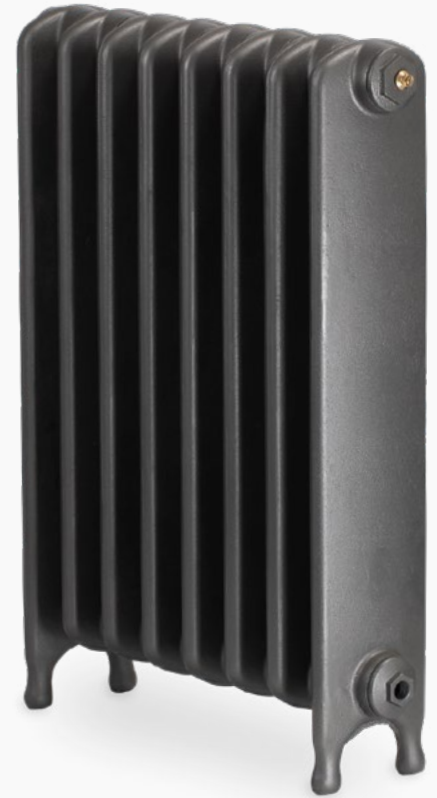
Clarendon

A truly classic design that has taken inspiration from some of Britain's oldest and most elite schools. The Clarendon is an old school cast iron radiator which has been expertly designed to be an exact copy of the original Clarendon. It is named after the Clarendon group of old schools some of which include Harrow, Eton and Winchester. This modest and characterful radiator lends itself to both contemporary and traditional spaces.

HEIGHT (Please select your required height to view heat output and specifications)

440 740

CODE/ SECTIONS	LENGTH	OUTPUT				WEIGHT (KG)	WATER CONTENT (LTRs)
		Dt60		Dt50			
		BTUs	WATTS	BTUs	WATTS		
CLAR-740-03	3	1057	310	834	245	25	5.10
CLAR-740-04	4	1409	413	1112	326	34	6.80
CLAR-740-05	5	1762	516	1390	408	42	8.50
CLAR-740-06	6	2114	620	1668	489	51	10.20
CLAR-740-07	7	2466	723	1947	571	59	11.90
CLAR-740-08	8	2819	826	2225	652	68	13.60
CLAR-740-09	9	3171	929	2503	734	76	15.30
CLAR-740-10	10	3523	1033	2781	815	85	17.00
CLAR-740-11	11	3876	1136	3059	897	94	18.70
CLAR-740-12	12	4228	1239	3337	978	102	20.40
CLAR-740-13	13	4580	1342	3615	1060	110	22.10
CLAR-740-14	14	4933	1446	3893	1141	119	23.80
CLAR-740-15	15	5285	1549	4171	1223	127	25.50
CLAR-740-16	16	5637	1652	4449	1304	136	27.20
CLAR-740-17	17	5990	1755	4727	1386	144	28.90
CLAR-740-18	18	6342	1859	5005	1467	153	30.60
CLAR-740-19	19	6694	1962	5283	1549	161	32.30
CLAR-740-20	20	7046	2065	5562	1630	170	34.00
CLAR-740-21	21	7399	2168	5840	1712	178	35.70
CLAR-740-22	22	7751	2272	6118	1793	187	37.40
CLAR-740-23	23	8103	2375	6396	1875	195	39.10
CLAR-740-24	24	8456	2478	6674	1956	204	40.80
CLAR-740-25	25	8808	2582	6952	2038	212	42.50
CLAR-740-26	26	9160	2685	7230	2119	221	44.20
CLAR-740-27	27	9513	2788	7508	2201	229	45.90
CLAR-740-28	28	9865	2891	7786	2282	237	47.60
CLAR-740-29	29	10217	2995	8064	2364	246	49.30
CLAR-740-30	30	10570	3098	8342	2445	254	51.00
CLAR-740-31	31	10922	3201	8620	2527	263	52.70
CLAR-740-32	32	11274	3304	8898	2608	271	54.40
CLAR-740-33	33	11627	3408	9177	2690	280	56.10
CLAR-740-34	34	11979	3511	9455	2771	288	57.80
CLAR-740-35	35	12331	3614	9733	2853	297	59.50
CLAR-740-36	36	12684	3717	10011	2934	305	61.20
CLAR-740-37	37	13036	3821	10289	3016	314	62.90
CLAR-740-38	38	13388	3924	10567	3097	322	64.60
CLAR-740-39	39	13741	4027	10845	3179	331	66.30
CLAR-740-40	40	14093	4130	11123	3260	339	68.00



01205 280354

sales@paladinradiators.com

www.paladinradiators.com

Paladin Radiators, Langrick Road,
New York, Lincolnshire LN4 4XH



Maximum test pressure = 3.3 bar | Maximum working pressure = 2.5 bar

Dt50 figures shown in accordance with BS EN442. We have, from experience, found that the Dt60 figures usually give adequate output without oversizing the radiators on standard heating systems. Maximum test pressure = 3.3 bar | Maximum working pressure = 2.5 bar. Lengths quoted are given in good faith. However, due to the nature of the manufacturing process tolerances can and should be expected. Quoted dimensions should therefore only be used as a guideline. Longer lengths are available on request.