

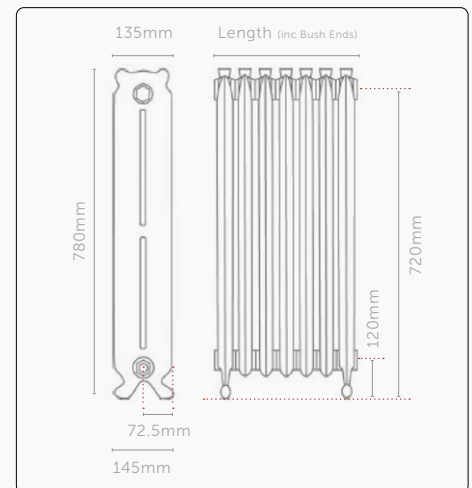
Kensington

With a fabulous fluid form and exquisite ornate detail, this vintage radiator exudes luxury. The Kensington vintage cast iron radiator is a decoratively distinctive vintage styled cast iron radiator that echoes a bygone era. This freestanding vintage radiator has a stunning ornate scrolled detail that lends itself well to our hand-painted highlight option or an antique paint effect. The Kensington is a popular choice for a traditional refurbishment, barn or warehouse conversion, but is equally at home in a modern setting. Let the beautiful lines of the Kensington magically enhance your room.

HEIGHT (Please select your required height to view heat output and specifications)

580 750 780

CODE/ SECTIONS	LENGTH	OUTPUT				WEIGHT (KG)	WATER CONTENT (LTRs)
		Dt60		Dt50			
		BTUs	WATTS	BTUs	WATTS		
KEN-780-03	247	1230	360	971	284	22	4.50
KEN-780-04	318	1640	481	1294	379	29	6.00
KEN-780-05	389	2050	601	1618	474	36	7.50
KEN-780-06	460	2459	721	1941	569	44	9.00
KEN-780-07	531	2869	841	2265	664	51	10.50
KEN-780-08	602	3279	961	2588	759	58	12.00
KEN-780-09	673	3689	1081	2912	853	65	13.50
KEN-780-10	744	4099	1201	3235	948	73	15.00
KEN-780-11	815	4509	1322	3559	1043	80	16.50
KEN-780-12	886	4919	1442	3882	1138	87	18.00
KEN-780-13	957	5329	1562	4206	1233	94	19.50
KEN-780-14	1028	5739	1682	4529	1327	102	21.00
KEN-780-15	1099	6149	1802	4853	1422	109	22.50
KEN-780-16	1170	6559	1922	5176	1517	116	24.00
KEN-780-17	1241	6968	2042	5500	1612	123	25.50
KEN-780-18	1312	7378	2162	5823	1707	131	27.00
KEN-780-19	1383	7788	2283	6147	1802	138	28.50
KEN-780-20	1454	8198	2403	6471	1896	145	30.00
KEN-780-21	1525	8608	2523	6794	1991	153	31.50
KEN-780-22	1596	9018	2643	7118	2086	160	33.00
KEN-780-23	1667	9428	2763	7441	2181	167	34.50
KEN-780-24	1738	9838	2883	7765	2276	174	36.00
KEN-780-25	1809	10248	3003	8088	2371	182	37.50
KEN-780-26	1880	10658	3124	8412	2465	189	39.00
KEN-780-27	1951	11067	3244	8735	2560	196	40.50
KEN-780-28	2022	11477	3364	9059	2655	203	42.00
KEN-780-29	2093	11887	3484	9382	2750	211	43.50
KEN-780-30	2164	12297	3604	9706	2845	218	45.00
KEN-780-31	2235	12707	3724	10029	2939	225	46.50
KEN-780-32	2306	13117	3844	10353	3034	232	48.00
KEN-780-33	2377	13527	3965	10676	3129	240	49.50
KEN-780-34	2448	13937	4085	11000	3224	247	51.00
KEN-780-35	2519	14347	4205	11323	3319	254	52.50
KEN-780-36	2590	14757	4325	11647	3414	261	54.00
KEN-780-37	2661	15167	4445	11970	3508	269	55.50
KEN-780-38	2732	15576	4565	12294	3603	276	57.00
KEN-780-39	2803	15986	4685	12618	3698	283	58.50
KEN-780-40	2874	16396	4805	12941	3793	290	60.00



01205 280354

sales@paladinradiators.com

www.paladinradiators.com

Paladin Radiators, Langrick Road,
New York, Lincolnshire LN4 4XH



Maximum test pressure = 3.3 bar | Maximum working pressure = 2.5 bar

Dt50 figures shown in accordance with BS EN442. We have, from experience, found that the Dt60 figures usually give adequate output without oversizing the radiators on standard heating systems. Maximum test pressure = 3.3 bar | Maximum working pressure = 2.5 bar. Lengths quoted are given in good faith. However, due to the nature of the manufacturing process tolerances can and should be expected. Quoted dimensions should therefore only be used as a guideline. Longer lengths are available on request.