

Piccadilly

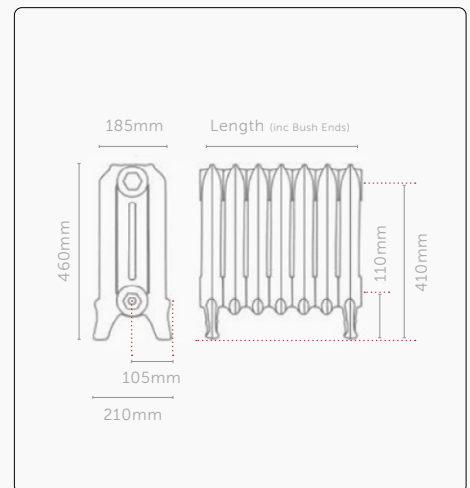
A 19th-century Celtic masterpiece that stirs your emotions and oozes intrigue. The Piccadilly is a decorative cast iron radiator that flaunts flowing Celtic ribbons that are intertwined with leaves and crowned with scrolls. Originally manufactured by the American Radiator Company, circa 1880, this magnificent cast iron radiator is often found in churches, due to its distinctive and unusual Celtic design. The Piccadilly cast iron radiator lends itself to our hand-painted highlight effect or our antiqued paint options. The Piccadilly is a stunning complement to both modern and period homes.

HEIGHT (Please select your required height to view heat output and specifications)

460 660 760



CODE/ SECTIONS	LENGTH	OUTPUT				WEIGHT (KG)	WATER CONTENT (LTRs)
		Dt60		Dt50			
		BTUs	WATTS	BTUs	WATTS		
PIC-460-03	249	917	269	724	212	19	4.13
PIC-460-04	320	1223	358	965	283	25	5.50
PIC-460-05	392	1529	448	1207	354	32	6.88
PIC-460-06	463	1835	538	1448	424	38	8.25
PIC-460-07	535	2140	627	1689	495	44	9.63
PIC-460-08	606	2446	717	1931	566	51	11.00
PIC-460-09	678	2752	807	2172	637	57	12.38
PIC-460-10	749	3058	896	2413	707	63	13.75
PIC-460-11	821	3363	986	2655	778	70	15.13
PIC-460-12	892	3669	1075	2896	849	76	16.50
PIC-460-13	964	3975	1165	3137	919	82	17.88
PIC-460-14	1035	4281	1255	3379	990	89	19.25
PIC-460-15	1107	4586	1344	3620	1061	95	20.63
PIC-460-16	1178	4892	1434	3861	1132	101	22.00
PIC-460-17	1250	5198	1523	4103	1202	108	23.38
PIC-460-18	1321	5504	1613	4344	1273	114	24.75
PIC-460-19	1393	5810	1703	4585	1344	121	26.13
PIC-460-20	1464	6115	1792	4827	1415	127	27.50
PIC-460-21	1536	6421	1882	5068	1485	133	28.88
PIC-460-22	1607	6727	1972	5309	1556	140	30.25
PIC-460-23	1679	7033	2061	5551	1627	146	31.63
PIC-460-24	1750	7338	2151	5792	1698	152	33.00
PIC-460-25	1822	7644	2240	6033	1768	159	34.38
PIC-460-26	1893	7950	2330	6275	1839	165	35.75
PIC-460-27	1965	8256	2420	6516	1910	171	37.13
PIC-460-28	2036	8561	2509	6757	1980	178	38.50
PIC-460-29	2108	8867	2599	6999	2051	184	39.88
PIC-460-30	2179	9173	2688	7240	2122	190	41.25
PIC-460-31	2251	9479	2778	7481	2193	197	42.63
PIC-460-32	2322	9785	2868	7723	2263	203	44.00
PIC-460-33	2394	10090	2957	7964	2334	209	45.38
PIC-460-34	2465	10396	3047	8205	2405	216	46.75
PIC-460-35	2537	10702	3137	8447	2476	222	48.13
PIC-460-36	2608	11008	3226	8688	2546	228	49.50
PIC-460-37	2680	11313	3316	8929	2617	235	50.88
PIC-460-38	2751	11619	3405	9171	2688	241	52.25
PIC-460-39	2823	11925	3495	9412	2758	247	53.63
PIC-460-40	2894	12231	3585	9653	2829	254	55.00



01205 280354

sales@paladinradiators.com

www.paladinradiators.com

Paladin Radiators, Langrick Road,
New York, Lincolnshire LN4 4XH



Maximum test pressure = 3.3 bar | Maximum working pressure = 2.5 bar

Dt50 figures shown in accordance with BS EN442. We have, from experience, found that the Dt60 figures usually give adequate output without oversizing the radiators on standard heating systems. Maximum test pressure = 3.3 bar | Maximum working pressure = 2.5 bar. Lengths quoted are given in good faith. However, due to the nature of the manufacturing process tolerances can and should be expected. Quoted dimensions should therefore only be used as a guideline. Longer lengths are available on request.