

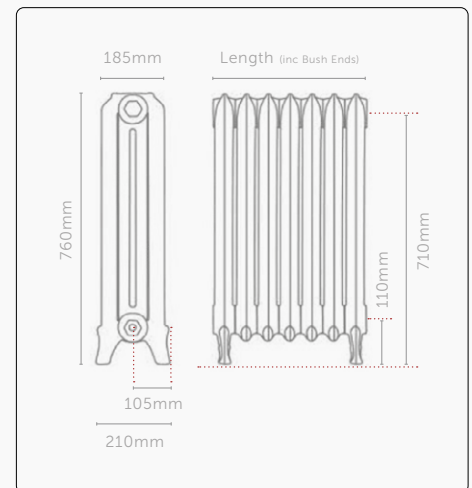
Piccadilly

A 19th-century Celtic masterpiece that stirs your emotions and oozes intrigue. The Piccadilly is a decorative cast iron radiator that flaunts flowing Celtic ribbons that are intertwined with leaves and crowned with scrolls. Originally manufactured by the American Radiator Company, circa 1880, this magnificent cast iron radiator is often found in churches, due to its distinctive and unusual Celtic design. The Piccadilly cast iron radiator lends itself to our hand-painted highlight effect or our antiqued paint options. The Piccadilly is a stunning complement to both modern and period homes.

HEIGHT (Please select your required height to view heat output and specifications)

460 660 **760**

CODE/ SECTIONS	LENGTH	OUTPUT				WEIGHT (KG)	WATER CONTENT (LTRs)
		Dt60		Dt50			
		BTUs	WATTS	BTUs	WATTS		
PIC-760-03	247	1496	438	1181	346	31	7.20
PIC-760-04	318	1995	585	1574	461	41	9.60
PIC-760-05	389	2494	731	1968	577	52	12.00
PIC-760-06	460	2992	877	2362	692	62	14.40
PIC-760-07	531	3491	1023	2755	808	72	16.80
PIC-760-08	602	3990	1169	3149	923	83	19.20
PIC-760-09	673	4488	1315	3542	1038	93	21.60
PIC-760-10	744	4987	1462	3936	1154	103	24.00
PIC-760-11	815	5486	1608	4330	1269	114	26.40
PIC-760-12	886	5984	1754	4723	1384	124	28.80
PIC-760-13	957	6483	1900	5117	1500	134	31.20
PIC-760-14	1028	6982	2046	5511	1615	145	33.60
PIC-760-15	1099	7481	2192	5904	1730	155	36.00
PIC-760-16	1170	7979	2339	6298	1846	165	38.40
PIC-760-17	1241	8478	2485	6691	1961	175	40.80
PIC-760-18	1312	8977	2631	7085	2076	186	43.20
PIC-760-19	1383	9475	2777	7479	2192	196	45.60
PIC-760-20	1454	9974	2923	7872	2307	206	48.00
PIC-760-21	1525	10473	3069	8266	2423	217	50.40
PIC-760-22	1596	10971	3216	8659	2538	227	52.80
PIC-760-23	1667	11470	3362	9053	2653	237	55.20
PIC-760-24	1738	11969	3508	9447	2769	248	57.60
PIC-760-25	1809	12468	3654	9840	2884	258	60.00
PIC-760-26	1880	12966	3800	10234	2999	268	62.40
PIC-760-27	1951	13465	3946	10627	3115	279	64.80
PIC-760-28	2022	13964	4093	11021	3230	289	67.20
PIC-760-29	2093	14462	4239	11415	3345	299	69.60
PIC-760-30	2164	14961	4385	11808	3461	310	72.00
PIC-760-31	2235	15460	4531	12202	3576	320	74.40
PIC-760-32	2306	15958	4677	12595	3692	330	76.80
PIC-760-33	2377	16457	4823	12989	3807	341	79.20
PIC-760-34	2448	16956	4969	13383	3922	351	81.60
PIC-760-35	2519	17455	5116	13776	4038	361	84.00
PIC-760-36	2590	17953	5262	14170	4153	372	86.40
PIC-760-37	2661	18452	5408	14564	4268	382	88.80
PIC-760-38	2732	18951	5554	14957	4384	392	91.20
PIC-760-39	2803	19449	5700	15351	4499	403	93.60
PIC-760-40	2874	19948	5846	15744	4614	413	96.00



01205 280354

sales@paladinradiators.com

www.paladinradiators.com

Paladin Radiators, Langrick Road,
New York, Lincolnshire LN4 4XH



Maximum test pressure = 3.3 bar | Maximum working pressure = 2.5 bar

Dt50 figures shown in accordance with BS EN442. We have, from experience, found that the Dt60 figures usually give adequate output without oversizing the radiators on standard heating systems. Maximum test pressure = 3.3 bar | Maximum working pressure = 2.5 bar. Lengths quoted are given in good faith. However, due to the nature of the manufacturing process tolerances can and should be expected. Quoted dimensions should therefore only be used as a guideline. Longer lengths are available on request.