

Sloane

An Intricate elegant design, going back in time. The Sloane cast iron radiator design was first produced in America in the 1880's. It is famous for its finely etched features which gives rise to its name of the curly eared princess.

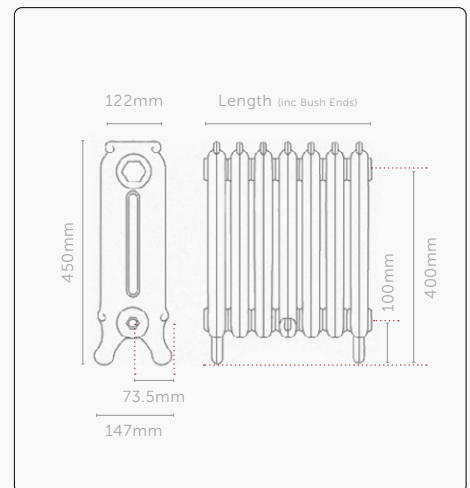
The elaborate yet sophisticated design of the Sloane provides a contemporary look for the more modern setting as well as a traditional look for the period home.

HEIGHT (Please select your required height to view heat output and specifications)

450 750



CODE/ SECTIONS	LENGTH	OUTPUT				WEIGHT (KG)	WATER CONTENT (LTRs)
		Dt60		Dt50			
		BTUs	WATTS	BTUs	WATTS		
SLO-450-03	267	706	207	557	163	14	3.00
SLO-450-04	344	941	276	742	218	19	4.00
SLO-450-05	422	1176	345	928	272	24	5.00
SLO-450-06	500	1411	414	1114	326	29	6.00
SLO-450-07	577	1646	482	1299	381	33	7.00
SLO-450-08	655	1881	551	1485	435	38	8.00
SLO-450-09	732	2117	620	1671	490	43	9.00
SLO-450-10	810	2352	689	1856	544	48	10.00
SLO-450-11	888	2587	758	2042	598	52	11.00
SLO-450-12	965	2822	827	2227	653	57	12.00
SLO-450-13	1043	3057	896	2413	707	62	13.00
SLO-450-14	1120	3292	965	2599	762	67	14.00
SLO-450-15	1198	3528	1034	2784	816	71	15.00
SLO-450-16	1276	3763	1103	2970	870	76	16.00
SLO-450-17	1353	3998	1172	3155	925	81	17.00
SLO-450-18	1431	4233	1241	3341	979	86	18.00
SLO-450-19	1508	4468	1310	3527	1034	90	19.00
SLO-450-20	1586	4703	1378	3712	1088	95	20.00
SLO-450-21	1664	4939	1447	3898	1142	100	21.00
SLO-450-22	1741	5174	1516	4083	1197	105	22.00
SLO-450-23	1819	5409	1585	4269	1251	110	23.00
SLO-450-24	1896	5644	1654	4455	1306	114	24.00
SLO-450-25	1974	5879	1723	4640	1360	119	25.00
SLO-450-26	2052	6114	1792	4826	1414	124	26.00
SLO-450-27	2129	6350	1861	5012	1469	129	27.00
SLO-450-28	2207	6585	1930	5197	1523	133	28.00
SLO-450-29	2284	6820	1999	5383	1578	138	29.00
SLO-450-30	2362	7055	2068	5568	1632	143	30.00
SLO-450-31	2440	7290	2137	5754	1686	148	31.00
SLO-450-32	2517	7525	2206	5940	1741	152	32.00
SLO-450-33	2595	7761	2275	6125	1795	157	33.00
SLO-450-34	2672	7996	2343	6311	1850	162	34.00
SLO-450-35	2750	8231	2412	6496	1904	167	35.00
SLO-450-36	2828	8466	2481	6682	1958	171	36.00
SLO-450-37	2905	8701	2550	6868	2013	176	37.00
SLO-450-38	2983	8937	2619	7053	2067	181	38.00
SLO-450-39	3060	9172	2688	7239	2122	186	39.00
SLO-450-40	3138	9407	2757	7425	2176	190	40.00



01205 280354

sales@paladinradiators.com

www.paladinradiators.com

Paladin Radiators, Langrick Road,
New York, Lincolnshire LN4 4XH



Maximum test pressure = 3.3 bar | Maximum working pressure = 2.5 bar

Dt50 figures shown in accordance with BS EN442. We have, from experience, found that the Dt60 figures usually give adequate output without oversizing the radiators on standard heating systems. Maximum test pressure = 3.3 bar | Maximum working pressure = 2.5 bar. Lengths quoted are given in good faith. However, due to the nature of the manufacturing process tolerances can and should be expected. Quoted dimensions should therefore only be used as a guideline. Longer lengths are available on request.