

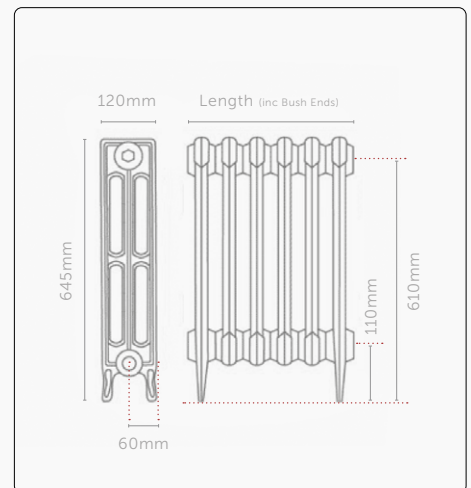
Victoriana

When history should repeat itself, meet the Victoriana – a 19th-century masterpiece. The Victoriana design reins from America in the 1880's. Beautifully simplistic, the Victoriana design could be found in buildings during the late Victorian era. This simple, yet elegant style has been judiciously recreated by Paladin to offer an authentic, traditional cast iron radiator to suit both modern and period homes.

COLUMNS **HEIGHT** (Please select your required height to view heat output and specifications)

3 **4** 450 **645** 745

CODE/ SECTIONS	LENGTH	OUTPUT				WEIGHT (KG)	WATER CONTENT (LTRs)
		Dt60		Dt50			
		BTUs	WATTS	BTUs	WATTS		
VIC3-645-03	215	983	288	776	227	14	2.85
VIC3-645-04	276	1311	384	1035	303	19	3.80
VIC3-645-05	336	1638	480	1293	379	23	4.75
VIC3-645-06	396	1966	576	1552	455	28	5.70
VIC3-645-07	457	2294	672	1810	531	33	6.65
VIC3-645-08	517	2621	768	2069	606	37	7.60
VIC3-645-09	578	2949	864	2328	682	42	8.55
VIC3-645-10	638	3277	960	2586	758	47	9.50
VIC3-645-11	698	3605	1056	2845	834	51	10.45
VIC3-645-12	759	3932	1152	3104	910	56	11.40
VIC3-645-13	819	4260	1249	3362	985	61	12.35
VIC3-645-14	880	4588	1345	3621	1061	65	13.30
VIC3-645-15	940	4915	1441	3879	1137	70	14.25
VIC3-645-16	1000	5243	1537	4138	1213	75	15.20
VIC3-645-17	1061	5571	1633	4397	1289	79	16.15
VIC3-645-18	1121	5898	1729	4655	1364	84	17.10
VIC3-645-19	1182	6226	1825	4914	1440	89	18.05
VIC3-645-20	1242	6554	1921	5173	1516	93	19.00
VIC3-645-21	1302	6881	2017	5431	1592	98	19.95
VIC3-645-22	1363	7209	2113	5690	1668	103	20.90
VIC3-645-23	1423	7537	2209	5948	1743	107	21.85
VIC3-645-24	1484	7864	2305	6207	1819	112	22.80
VIC3-645-25	1544	8192	2401	6466	1895	117	23.75
VIC3-645-26	1604	8520	2497	6724	1971	121	24.70
VIC3-645-27	1665	8847	2593	6983	2047	126	25.65
VIC3-645-28	1725	9175	2689	7242	2122	131	26.60
VIC3-645-29	1786	9503	2785	7500	2198	135	27.55
VIC3-645-30	1846	9831	2881	7759	2274	140	28.50
VIC3-645-31	1906	10158	2977	8018	2350	145	29.45
VIC3-645-32	1967	10486	3073	8276	2426	149	30.40
VIC3-645-33	2027	10814	3169	8535	2501	154	31.35
VIC3-645-34	2088	11141	3265	8793	2577	158	32.30
VIC3-645-35	2148	11469	3361	9052	2653	163	33.25
VIC3-645-36	2208	11797	3457	9311	2729	168	34.20
VIC3-645-37	2269	12124	3553	9569	2805	172	35.15
VIC3-645-38	2329	12452	3649	9828	2880	177	36.10
VIC3-645-39	2390	12780	3746	10087	2956	182	37.05
VIC3-645-40	2450	13107	3842	10345	3032	186	38.00



01205 280354

sales@paladinradiators.com

www.paladinradiators.com

Paladin Radiators, Langrick Road,
New York, Lincolnshire LN4 4XH



Maximum test pressure = 3.3 bar | Maximum working pressure = 2.5 bar

Dt50 figures shown in accordance with BS EN442. We have, from experience, found that the Dt60 figures usually give adequate output without oversizing the radiators on standard heating systems. Maximum test pressure = 3.3 bar | Maximum working pressure = 2.5 bar. Lengths quoted are given in good faith. However, due to the nature of the manufacturing process tolerances can and should be expected. Quoted dimensions should therefore only be used as a guideline. Longer lengths are available on request.