

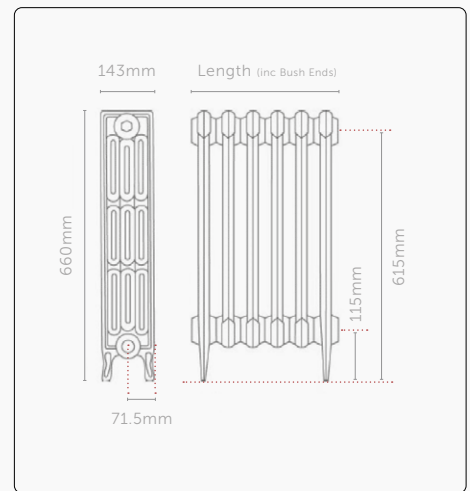
Victoriana

When history should repeat itself, meet the Victoriana – a 19th-century masterpiece. The Victoriana design reins from America in the 1880’s. Beautifully simplistic, the Victoriana design could be found in buildings during the late Victorian era. This simple, yet elegant style has been judiciously recreated by Paladin to offer an authentic, traditional cast iron radiator to suit both modern and period homes.

COLUMNS **HEIGHT** (Please select your required height to view heat output and specifications)

3 **4** 460 **660** 760 813

CODE/ SECTIONS	LENGTH	OUTPUT				WEIGHT (KG)	WATER CONTENT (LTRs)
		Dt60		Dt50			
		BTUs	WATTS	BTUs	WATTS		
VIC4-660-03	219	1053	309	831	244	13	1.88
VIC4-660-04	281	1404	412	1108	325	18	2.50
VIC4-660-05	343	1755	514	1385	406	22	3.13
VIC4-660-06	405	2106	617	1662	487	26	3.75
VIC4-660-07	467	2457	720	1939	568	31	4.38
VIC4-660-08	528	2808	823	2216	650	35	5.00
VIC4-660-09	590	3159	926	2493	731	40	5.63
VIC4-660-10	652	3510	1029	2771	812	44	6.25
VIC4-660-11	714	3861	1132	3048	893	48	6.88
VIC4-660-12	776	4212	1235	3325	974	53	7.50
VIC4-660-13	837	4563	1337	3602	1056	57	8.13
VIC4-660-14	899	4914	1440	3879	1137	62	8.75
VIC4-660-15	961	5265	1543	4156	1218	66	9.38
VIC4-660-16	1023	5616	1646	4433	1299	70	10.00
VIC4-660-17	1085	5967	1749	4710	1380	75	10.63
VIC4-660-18	1146	6319	1852	4987	1462	79	11.25
VIC4-660-19	1208	6670	1955	5264	1543	84	11.88
VIC4-660-20	1270	7021	2058	5541	1624	88	12.50
VIC4-660-21	1332	7372	2160	5818	1705	92	13.13
VIC4-660-22	1394	7723	2263	6095	1786	97	13.75
VIC4-660-23	1455	8074	2366	6372	1868	101	14.38
VIC4-660-24	1517	8425	2469	6649	1949	106	15.00
VIC4-660-25	1579	8776	2572	6926	2030	110	15.63
VIC4-660-26	1641	9127	2675	7203	2111	114	16.25
VIC4-660-27	1703	9478	2778	7480	2192	119	16.88
VIC4-660-28	1764	9829	2881	7758	2274	123	17.50
VIC4-660-29	1826	10180	2984	8035	2355	128	18.13
VIC4-660-30	1888	10531	3086	8312	2436	132	18.75
VIC4-660-31	1950	10882	3189	8589	2517	136	19.38
VIC4-660-32	2012	11233	3292	8866	2598	141	20.00
VIC4-660-33	2073	11584	3395	9143	2680	145	20.63
VIC4-660-34	2135	11935	3498	9420	2761	150	21.25
VIC4-660-35	2197	12286	3601	9697	2842	154	21.88
VIC4-660-36	2259	12637	3704	9974	2923	158	22.50
VIC4-660-37	2321	12988	3807	10251	3004	163	23.13
VIC4-660-38	2382	13339	3909	10528	3086	167	23.75
VIC4-660-39	2444	13690	4012	10805	3167	172	24.38
VIC4-660-40	2506	14041	4115	11082	3248	176	25.00



01205 280354

sales@paladinradiators.com

www.paladinradiators.com

Paladin Radiators, Langrick Road,
New York, Lincolnshire LN4 4XH



Maximum test pressure = 3.3 bar | Maximum working pressure = 2.5 bar

Dt50 figures shown in accordance with BS EN442. We have, from experience, found that the Dt60 figures usually give adequate output without oversizing the radiators on standard heating systems. Maximum test pressure = 3.3 bar | Maximum working pressure = 2.5 bar. Lengths quoted are given in good faith. However, due to the nature of the manufacturing process tolerances can and should be expected. Quoted dimensions should therefore only be used as a guideline. Longer lengths are available on request.