

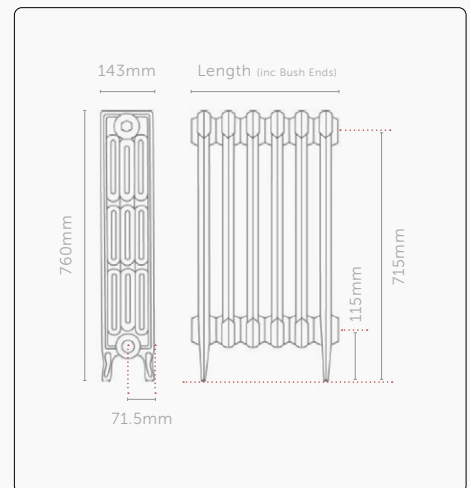
Victoriana

When history should repeat itself, meet the Victoriana – a 19th-century masterpiece. The Victoriana design reins from America in the 1880's. Beautifully simplistic, the Victoriana design could be found in buildings during the late Victorian era. This simple, yet elegant style has been judiciously recreated by Paladin to offer an authentic, traditional cast iron radiator to suit both modern and period homes.

COLUMNS **HEIGHT** (Please select your required height to view heat output and specifications)

3 **4** 460 660 **760** 813

CODE/ SECTIONS	LENGTH	OUTPUT				WEIGHT (KG)	WATER CONTENT (LTRs)
		Dt60		Dt50			
		BTUs	WATTS	BTUs	WATTS		
VIC4-760-03	217	1229	360	970	284	17	2.55
VIC4-760-04	278	1638	480	1293	379	23	3.40
VIC4-760-05	340	2048	600	1616	474	29	4.25
VIC4-760-06	401	2457	720	1939	568	35	5.10
VIC4-760-07	462	2867	840	2263	663	41	5.95
VIC4-760-08	523	3276	960	2586	758	46	6.80
VIC4-760-09	584	3686	1080	2909	853	52	7.65
VIC4-760-10	645	4095	1200	3232	947	58	8.50
VIC4-760-11	706	4505	1320	3555	1042	64	9.35
VIC4-760-12	767	4914	1440	3879	1137	70	10.20
VIC4-760-13	828	5324	1560	4202	1231	75	11.05
VIC4-760-14	889	5733	1680	4525	1326	81	11.90
VIC4-760-15	951	6143	1800	4848	1421	87	12.75
VIC4-760-16	1012	6552	1920	5172	1516	93	13.60
VIC4-760-17	1073	6962	2040	5495	1610	99	14.45
VIC4-760-18	1134	7371	2160	5818	1705	104	15.30
VIC4-760-19	1195	7781	2280	6141	1800	110	16.15
VIC4-760-20	1256	8190	2400	6464	1895	116	17.00
VIC4-760-21	1317	8600	2520	6788	1989	122	17.85
VIC4-760-22	1378	9009	2641	7111	2084	128	18.70
VIC4-760-23	1439	9419	2761	7434	2179	133	19.55
VIC4-760-24	1500	9828	2881	7757	2274	139	20.40
VIC4-760-25	1562	10238	3001	8080	2368	145	21.25
VIC4-760-26	1623	10647	3121	8404	2463	151	22.10
VIC4-760-27	1684	11057	3241	8727	2558	157	22.95
VIC4-760-28	1745	11467	3361	9050	2652	162	23.80
VIC4-760-29	1806	11876	3481	9373	2747	168	24.65
VIC4-760-30	1867	12286	3601	9697	2842	174	25.50
VIC4-760-31	1928	12695	3721	10020	2937	180	26.35
VIC4-760-32	1989	13105	3841	10343	3031	186	27.20
VIC4-760-33	2050	13514	3961	10666	3126	191	28.05
VIC4-760-34	2111	13924	4081	10989	3221	197	28.90
VIC4-760-35	2173	14333	4201	11313	3316	203	29.75
VIC4-760-36	2234	14743	4321	11636	3410	209	30.60
VIC4-760-37	2295	15152	4441	11959	3505	215	31.45
VIC4-760-38	2356	15562	4561	12282	3600	220	32.30
VIC4-760-39	2417	15971	4681	12606	3694	226	33.15
VIC4-760-40	2478	16381	4801	12929	3789	232	34.00



01205 280354

sales@paladinradiators.com

www.paladinradiators.com

Paladin Radiators, Langrick Road,
New York, Lincolnshire LN4 4XH



Maximum test pressure = 3.3 bar | Maximum working pressure = 2.5 bar

Dt50 figures shown in accordance with BS EN442. We have, from experience, found that the Dt60 figures usually give adequate output without oversizing the radiators on standard heating systems. Maximum test pressure = 3.3 bar | Maximum working pressure = 2.5 bar. Lengths quoted are given in good faith. However, due to the nature of the manufacturing process tolerances can and should be expected. Quoted dimensions should therefore only be used as a guideline. Longer lengths are available on request.