

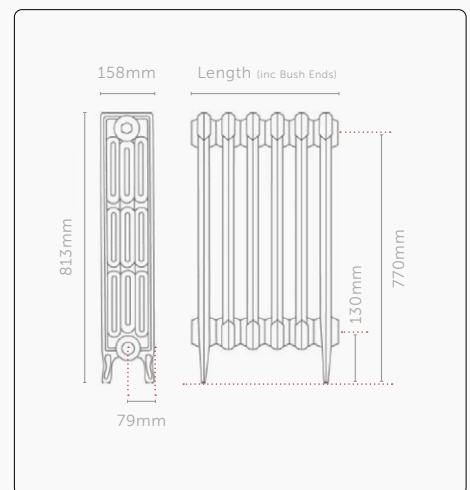
Victoriana

When history should repeat itself, meet the Victoriana – a 19th-century masterpiece. The Victoriana design reins from America in the 1880's. Beautifully simplistic, the Victoriana design could be found in buildings during the late Victorian era. This simple, yet elegant style has been judiciously recreated by Paladin to offer an authentic, traditional cast iron radiator to suit both modern and period homes.

COLUMNS **HEIGHT** (Please select your required height to view heat output and specifications)

3 **4** 460 660 760 **813**

CODE/ SECTIONS	LENGTH	OUTPUT				WEIGHT (KG)	WATER CONTENT (LTRs)
		Dt60		Dt50			
		BTUs	WATTS	BTUs	WATTS		
VIC4-813-03	214	1360	399	1074	315	19	2.70
VIC4-813-04	274	1814	532	1432	420	26	3.60
VIC4-813-05	335	2267	665	1790	525	32	4.50
VIC4-813-06	395	2721	797	2148	629	39	5.40
VIC4-813-07	455	3174	930	2505	734	45	6.30
VIC4-813-08	515	3628	1063	2863	839	52	7.20
VIC4-813-09	575	4081	1196	3221	944	58	8.10
VIC4-813-10	635	4535	1329	3579	1049	65	9.00
VIC4-813-11	695	4988	1462	3937	1154	71	9.90
VIC4-813-12	755	5442	1595	4295	1259	78	10.80
VIC4-813-13	815	5895	1728	4653	1364	84	11.70
VIC4-813-14	875	6349	1861	5011	1469	90	12.60
VIC4-813-15	936	6802	1994	5369	1574	97	13.50
VIC4-813-16	996	7256	2127	5727	1678	103	14.40
VIC4-813-17	1056	7709	2259	6085	1783	110	15.30
VIC4-813-18	1116	8163	2392	6443	1888	116	16.20
VIC4-813-19	1176	8616	2525	6800	1993	123	17.10
VIC4-813-20	1236	9070	2658	7158	2098	129	18.00
VIC4-813-21	1296	9523	2791	7516	2203	136	18.90
VIC4-813-22	1356	9977	2924	7874	2308	142	19.80
VIC4-813-23	1416	10430	3057	8232	2413	149	20.70
VIC4-813-24	1476	10884	3190	8590	2518	155	21.60
VIC4-813-25	1537	11337	3323	8948	2623	162	22.50
VIC4-813-26	1597	11791	3456	9306	2727	168	23.40
VIC4-813-27	1657	12244	3589	9664	2832	174	24.30
VIC4-813-28	1717	12698	3721	10022	2937	181	25.20
VIC4-813-29	1777	13151	3854	10380	3042	187	26.10
VIC4-813-30	1837	13604	3987	10738	3147	194	27.00
VIC4-813-31	1897	14058	4120	11095	3252	200	27.90
VIC4-813-32	1957	14511	4253	11453	3357	207	28.80
VIC4-813-33	2017	14965	4386	11811	3462	213	29.70
VIC4-813-34	2077	15418	4519	12169	3567	220	30.60
VIC4-813-35	2138	15872	4652	12527	3672	226	31.50
VIC4-813-36	2198	16325	4785	12885	3776	233	32.40
VIC4-813-37	2258	16779	4918	13243	3881	239	33.30
VIC4-813-38	2318	17232	5051	13601	3986	246	34.20
VIC4-813-39	2378	17686	5183	13959	4091	252	35.10
VIC4-813-40	2438	18139	5316	14317	4196	258	36.00



01205 280354

sales@paladinradiators.com

www.paladinradiators.com

Paladin Radiators, Langrick Road,
New York, Lincolnshire LN4 4XH



Maximum test pressure = 3.3 bar | Maximum working pressure = 2.5 bar

Dt50 figures shown in accordance with BS EN442. We have, from experience, found that the Dt60 figures usually give adequate output without oversizing the radiators on standard heating systems. Maximum test pressure = 3.3 bar | Maximum working pressure = 2.5 bar. Lengths quoted are given in good faith. However, due to the nature of the manufacturing process tolerances can and should be expected. Quoted dimensions should therefore only be used as a guideline. Longer lengths are available on request.