



Radiator Specification

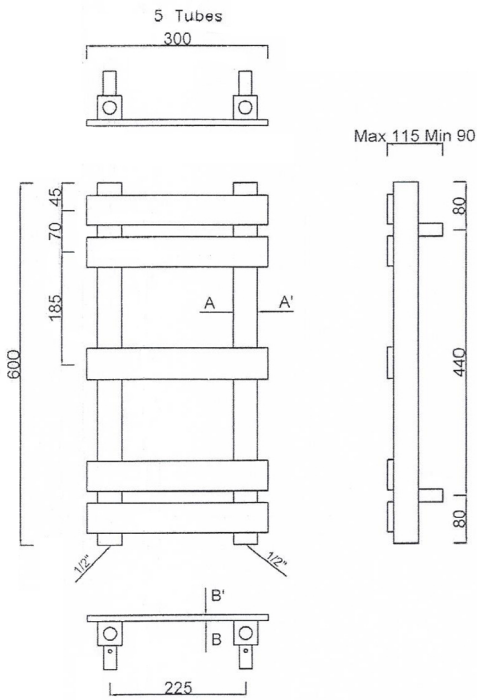
- Material: Stainless Steel
- Warranty: 25 Year Manufacture
- Product tested in accordance with EN442
- Connections: ½"
- Max working pressure: 10 bar

Features and Benefits

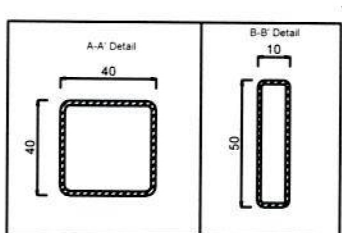
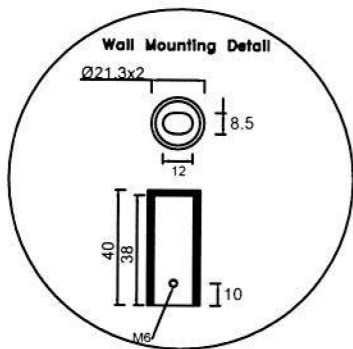
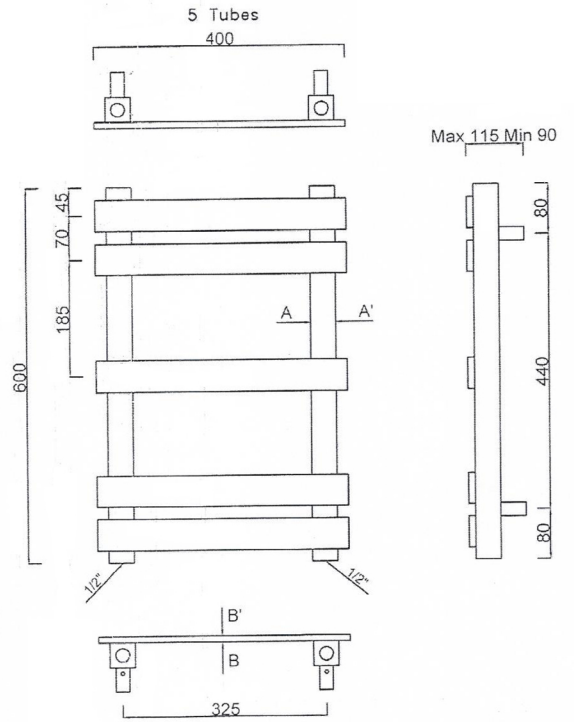
- Beautiful polished stainless steel
- Smaller sizes are perfect for En-suites and cloakrooms
- Ideal for wet rooms
- 50mm x 10mm horizontal bars

Product Code New	Finish	Height (mm)	Length (mm)	Depth (mm)	Pipe Centres	Output (Watts)	Output (BTUs)
240004	Polished Stainless Steel	600	300	90-115	225	137	467
240005	Polished Stainless Steel	600	400	90-115	325	159	542
240007	Polished Stainless Steel	750	500	90-115	425	222	750

600X300MM



600X400MM



750X500MM

