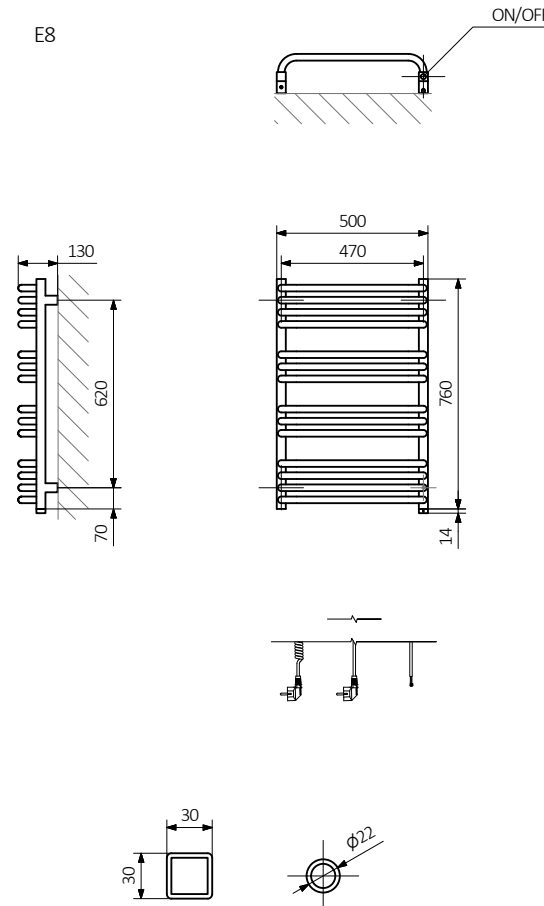


Installation guide Alex ONE 760x500mm - E8

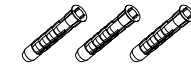
Please read the instructions in full before starting to fit your radiator.

- Please check that all parts listed are present before starting installation.
- Valves are not provided, please make sure that you have them before you start. This product requires standard 1/2" radiator valves.
- Before drilling holes for the brackets please check that there are no hidden wires or pipes.
- The plugs supplied are for hard walls masonry only. Please make sure you are using the correct plug for your wall.
- Terma radiators are designed for closed heating systems.
- The radiator should be fitted at least 100 mm from the floor to maximise heat efficiency.
- Noting the distances between bracket centres, mark out the position of the brackets on the wall.
- Drill holes to approximately 80 mm depth using a 10 mm drill bit and insert rawl plugs (1). Using connecting screw with a washer (2) attach mounting bracket-1 (3).
- Guide radiator brackets into mounting brackets - 1(3) and fix with connecting screws (4)
- Connect the water flow using appropriate 1/2" BSP valves. Follow valves manufacture guidelines for correct installation.
- Fill the radiator and purge any trapped air via the bleed valve at the top of the radiator.
- Wipe your radiator down using a clean damp cloth. Never use scourers or abrasives.

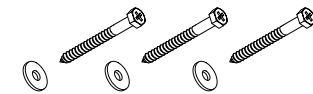


Fixing kit content

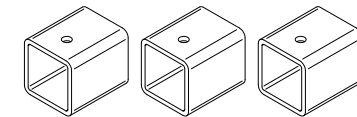
rawl plug (1)



wall fixing (2)
screw +
washer



mounting (3)
bracket-1



bracket to (4)
collector
fixing screw



air vent *



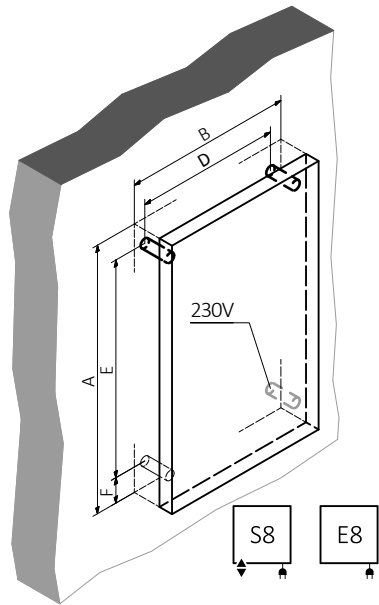
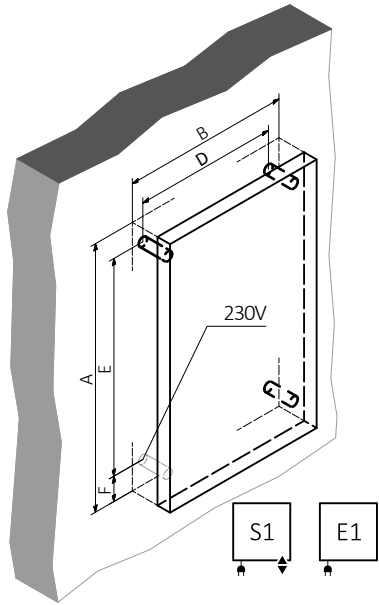
allen key



*Refers to water and dual fuel version

For all installation and warranty enquiries please contact Crimson Bear Customer Support on 01535 636256

Mounting bracket TERMA P4, P/S, 40 mm, 3x



| | | | |
|-----------------|------------------|-----------------|------------------|
| <p>1</p> | <p>2</p> | <p>3</p> | <p>4</p> |
| <p>5</p> | <p>6*</p> | | <p>7*</p> |

*Refers to water and dual fuel version only