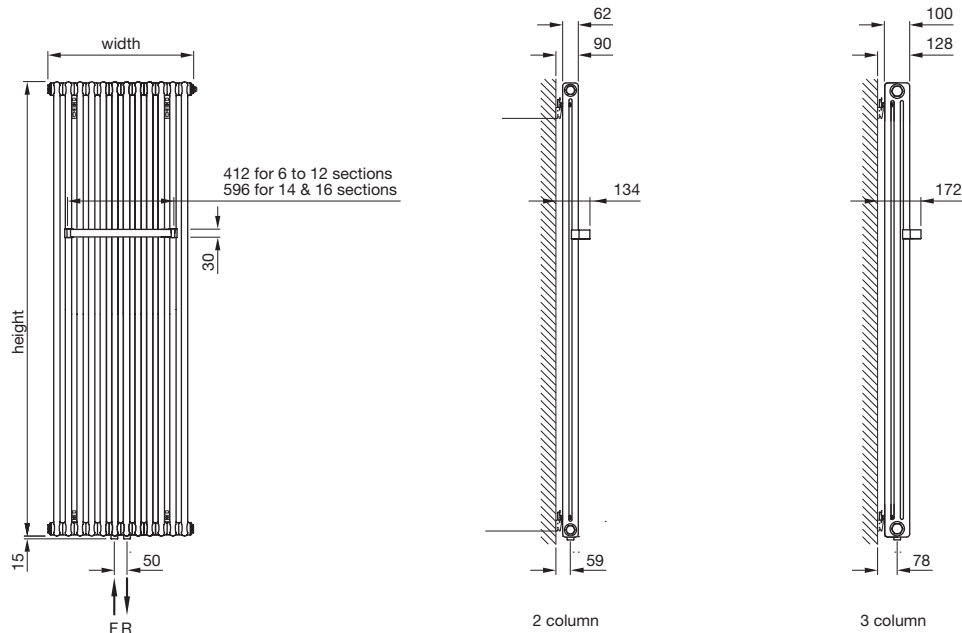


Zehnder Charleston Bar

always the
best climate **zehnder**



All dimensions shown are in millimetres

Test pressure: **15 BAR**
 Max working pressure: **10 BAR**
 Max working temperature: **110° C**
 All steel construction: **dia 25mm tubes**
 Connections: **½ inch BSP btm opp end tapings**

Not suitable for use on domestic hot water system

Heat output determined in accordance with EN 442
 Test Laboratory: WSP-LAB, Test Lab Registration No: 1428

Model	Height ± 2mm	Width ± 1.5%	Finish	Output ΔT=50K		Output ΔT=30K		n	Weight kg	Water Content litres
				Watts	Btu	Watts	Btu			
CPV2075-6	742	302	white/colour	330	1126	175	597	1.24	8.91	4.2
CPV2090-10	892	486	white/colour	639	2180	342	1167	1.23	14.93	8.0
CPV2120-10	1192	486	white/colour	827	2822	426	1454	1.30	18.86	11.0
CPV2150-10	1492	486	white/colour	1038	3542	539	1839	1.29	22.80	13.0
CPV2150-12	1492	578	white/colour	1246	4252	647	2208	1.29	26.80	15.6
CPV2150-14	1492	670	white/colour	1453	4958	755	2576	1.29	30.79	18.2
CPV2150-16	1492	762	white/colour	1661	5668	863	2945	1.29	34.79	20.8
CPV2180-10	1792	486	white/colour	1244	4245	647	2208	1.29	26.73	15.0
CPV2180-12	1792	578	white/colour	1493	5094	777	2651	1.29	31.51	18.0
CPV2180-14	1792	670	white/colour	1742	5994	906	3091	1.29	36.29	21.0
CPV2180-16	1792	762	white/colour	1991	6794	1036	3535	1.29	41.07	24.0
CPV3150-10	1500	486	white/colour	1402	4784	718	2450	1.31	32.82	20.0
CPV3150-12	1500	578	white/colour	1683	5743	861	2938	1.31	38.80	24.0
CPV3150-14	1500	670	white/colour	1963	6698	1005	3429	1.31	44.77	28.0
CPV3150-16	1500	762	white/colour	2243	7653	1148	3917	1.31	50.75	32.0
CPV3180-10	1800	486	white/colour	1656	5651	846	2887	1.32	38.70	24.0
CPV3180-12	1800	578	white/colour	1987	6780	1015	3463	1.32	45.85	28.8
CPV3180-14	1800	670	white/colour	2318	7909	1184	4040	1.32	53.01	33.6
CPV3180-16	1800	762	white/colour	2650	9042	1353	4617	1.32	60.16	38.4

Issue 1.0



Zehnder Group UK Ltd

Concept House
 Watchmoor Point
 Camberley
 Surrey GU15 3AD

Tel: 01276 605800
 Fax: 01276 24058
 retailsales@zehnder.co.uk
 www.zehnder.co.uk

Registered in England: 2296696

Zehnder Charleston Bar

always the
best climate

zehnder

Tools & Material Required

Wall plugs - 10mm
Screws - 7mm diameter x 60mm length
Suitable valves
PTFE tape
Silicone thread sealant
Tape measure
Allen key - 13mm & 12mm (when installing Zehnder valves)
Spanner - 13mm & 14mm
Socketdriver - 10mm long reach
Electric drill
Masonry drill bit - 10mm diameter
Spirit level
Stepladder

Key	Component	Qty
A	Air Vent - 1/2" (factory fitted)	1
B	Wall Plug*	4
C	Bracket	4
D	Screw - Hex Head, 7mm dia x 60mm*	4
E	Clamp Assembly	4
F	Security Clip	2

* Wall Plugs & Screws not supplied

Assembly Instructions

Sufficient PTFE tape must be applied to valve-tail threads prior to their installation.

Silicone thread sealant should be applied to all threaded components manufactured with 'O-rings'.

Fit valve tails, using correct size Allen key.

Accurately mark out bracket holes on wall.

Drill 10mm diameter holes in wall to a minimum depth of 65mm and insert wall plugs (B).

Attach brackets (C) to wall with screws (D) as shown and level.

Tightly fix the radiator tubes into the upper clamp assemblies (E).

Loosely fit the lower clamp assemblies (E) to the radiator.

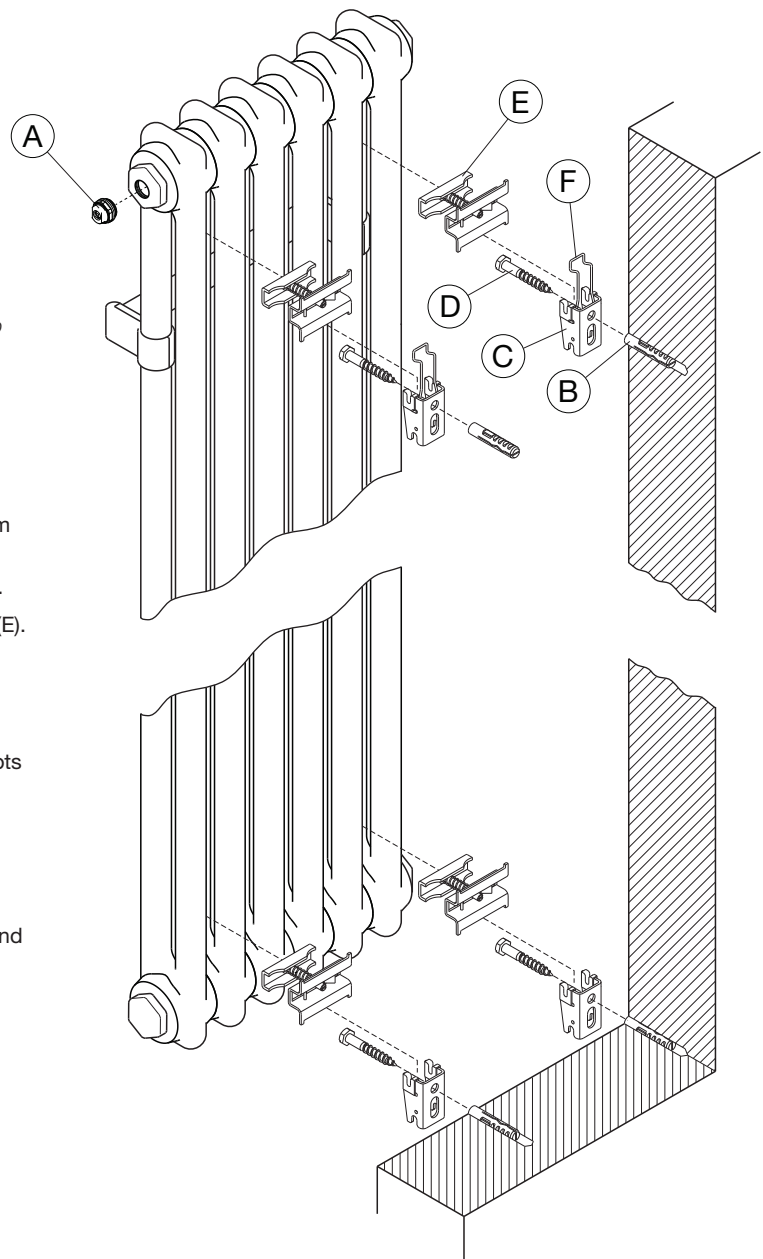
Lift the radiator on to the wall and locate the upper clamp assemblies (E) into the slots in the upper brackets (B).

Slide the lower clamp assemblies (E) until they locate in the slots in the lower brackets (B) and tighten clamps.

Fix security clip (F) into position over upper clamps (E).

Plumb radiator to heating circuit with flow opposite air vent.

This radiator should be installed onto a central heating system that has been cleaned/flushed and contains water treatment and inhibitors in accordance with BS7593.



Issue 1.0



Zehnder Group UK Ltd

Concept House
Watchmoor Point
Camberley
Surrey GU15 3AD

Tel: 01276 605800
Fax: 01276 24058
retailsales@zehnder.co.uk
www.zehnder.co.uk

Registered in England: 2296696