

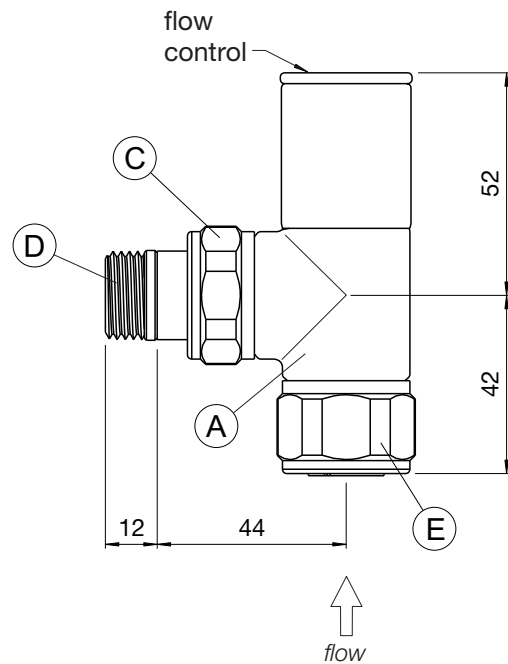
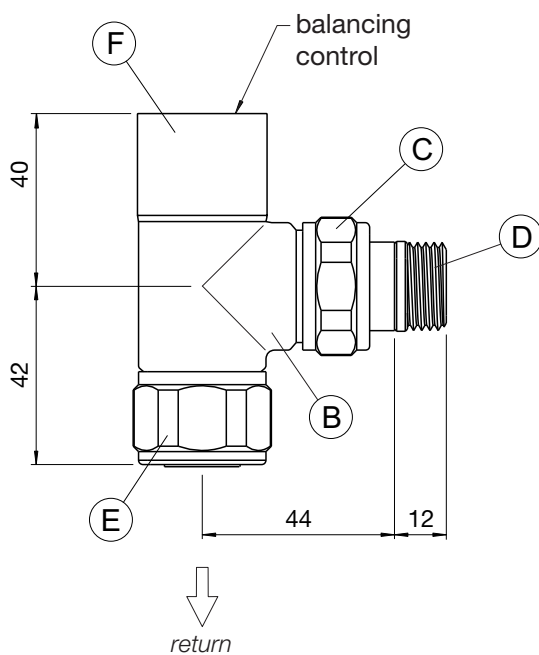
Zehnder Valve Set 27

always the
best climate **zehnder**

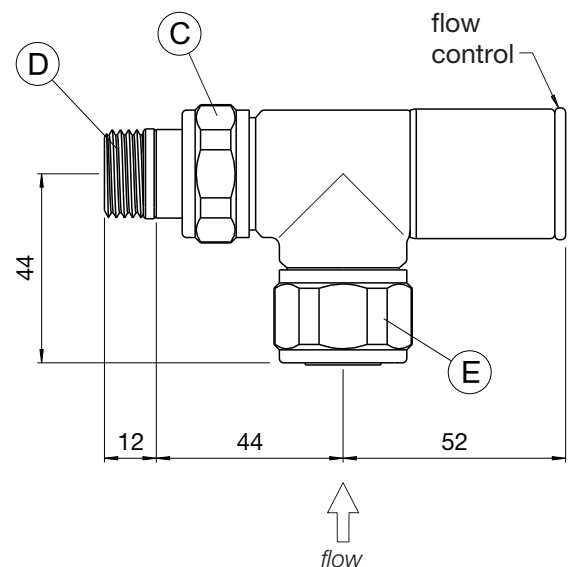
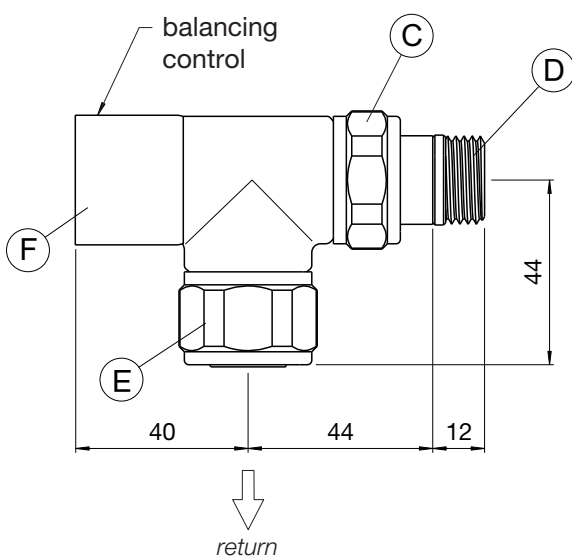
Tools & Material Required

Allen key - 12mm
Spanner - 29mm
Adjustable Spanner

Key	Component	Qty
A	Manual Body (flow)	1
B	Manual Body (return)	1
C	Nut	2
D	Valve Tail (1/2" BSP)	2
E	Compression Fitting (15mm)	2
F	Balancing Cap	1



Reverse Connections:



Issue 1.0



Zehnder Group UK Ltd

Concept House
Watchmoor Point
Camberley
Surrey GU15 3AD

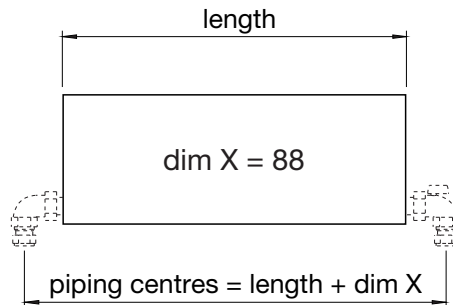
Tel: 01276 605800
Fax: 01276 24058
retailsales@zehnder.co.uk
www.zehnder.co.uk

Registered in England: 2296696

Zehnder Valve Set 27

always the
best climate

zehnder



Assembly Instructions

Fit valve tails (D) to radiator using 12mm Allen key, ensuring nut (C) is in place.

Note: over-tightening of valve tails may cause damage to surface finish of radiator connections. Do not use grips.

Loosen compression fittings (E) and apply valve bodies (A) & (B) to 15mm pipe tails.

Install radiator onto bracket mountings and tighten valve tails (D) onto valve bodies (A) & (B).

Tighten compression fittings (E).

After filling and venting radiator, remove balancing cap (F) and adjust balancing control to balance radiator.

For reverse connections, swap position of compression fitting (E) with nut (C) and valve tail (D).

Issue 1.0



Zehnder Group UK Ltd

Concept House
Watchmoor Point
Camberley
Surrey GU15 3AD

Tel: 01276 605800
Fax: 01276 24058
retailsales@zehnder.co.uk
www.zehnder.co.uk

Registered in England: 2296696